

AERODROME OBSTACLE CHART - ICAO

TYPE A - OPERATING LIMITATIONS

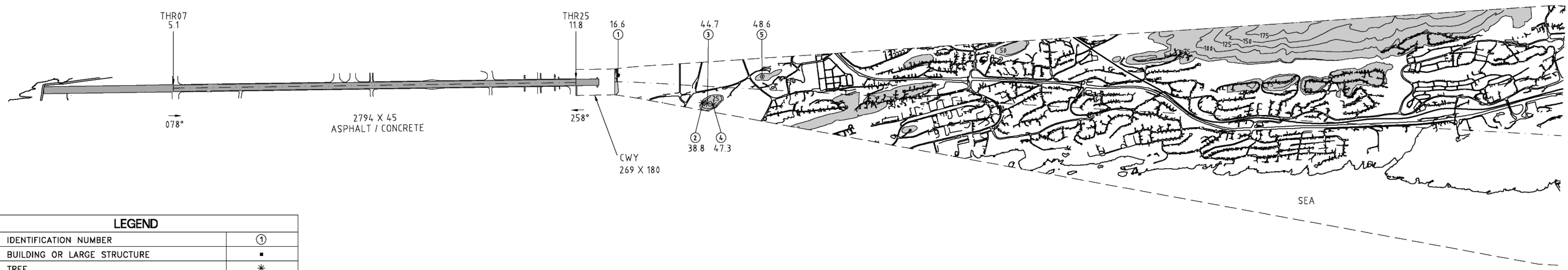
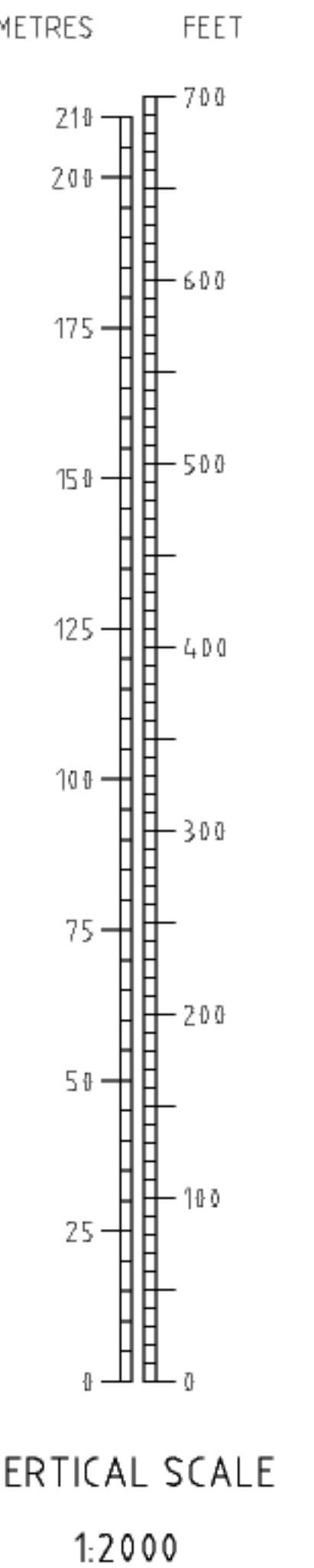
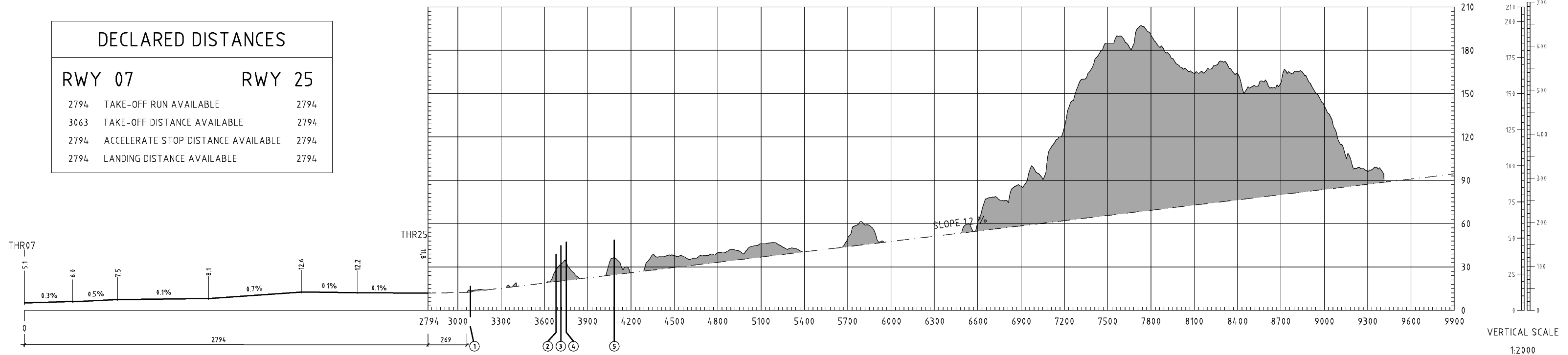
DIMENSIONS IN METRES AND ELEVATIONS IN METRES ABOVE MEAN SEA LEVEL

MAGNETIC VARIATION 4°E - 2005

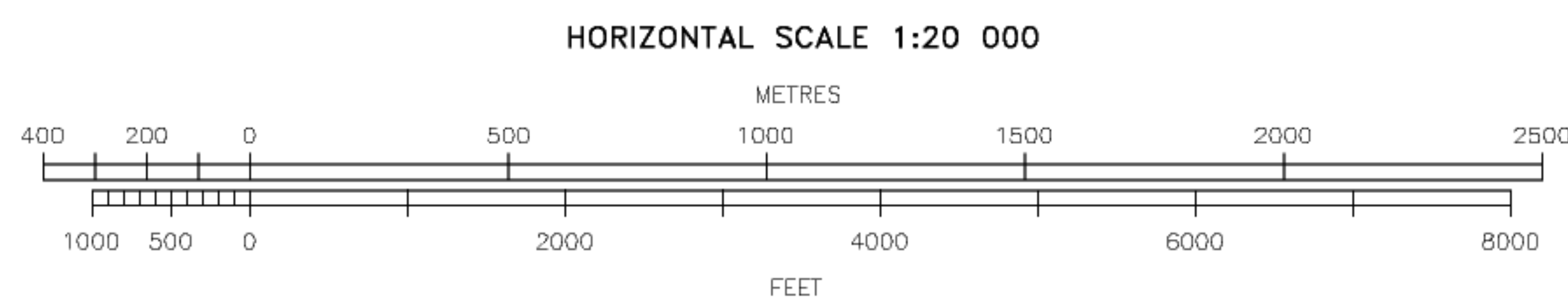


TURN PARAMETERS	
IAS	160 KIAS
Bank angle	15°
Temperature	ISA + 15°
Radius of turn/Alt	2700M/1000FT AMSL

DECLARED DISTANCES		
	RWY 07	RWY 25
2794	TAKE-OFF RUN AVAILABLE	2794
3063	TAKE-OFF DISTANCE AVAILABLE	2794
2794	ACCELERATE STOP DISTANCE AVAILABLE	2794
2794	LANDING DISTANCE AVAILABLE	2794



LEGEND	
IDENTIFICATION NUMBER	①
BUILDING OR LARGE STRUCTURE	■
TREE	*
POLE, TOWER, ANTENNA, ETC.	⊙
ROAD	— — — — —
COAST	— — — — —
LAKE, RIVER	— — — — —
TRANSMISSION LINE	— — — — —
RAILWAY	— — — — —
TERRAIN CONTOUR	— — — — —
TERRAIN PENETRATING OBSTACLE PLANE	— — — — —



AMENDMENT RECORD		
No.	DATE	ENTERED BY

CHANGES: DECLARED DISTANCES