

RWY 25
BODØ
NORWAY

AERODROME OBSTACLE CHART - ICAO

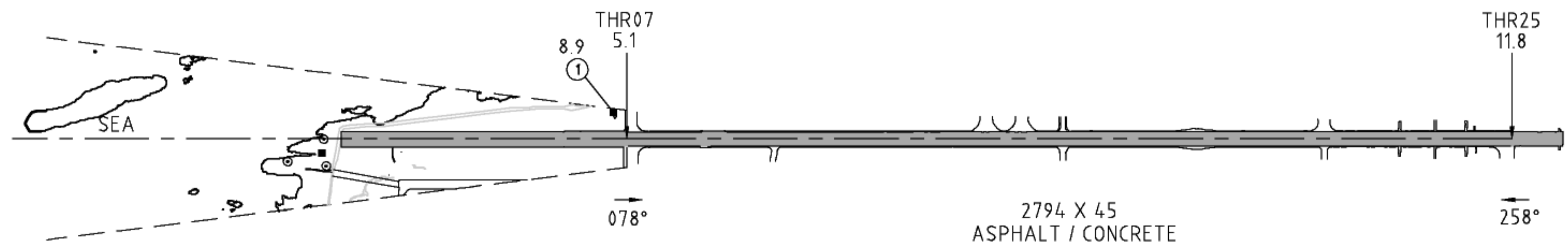
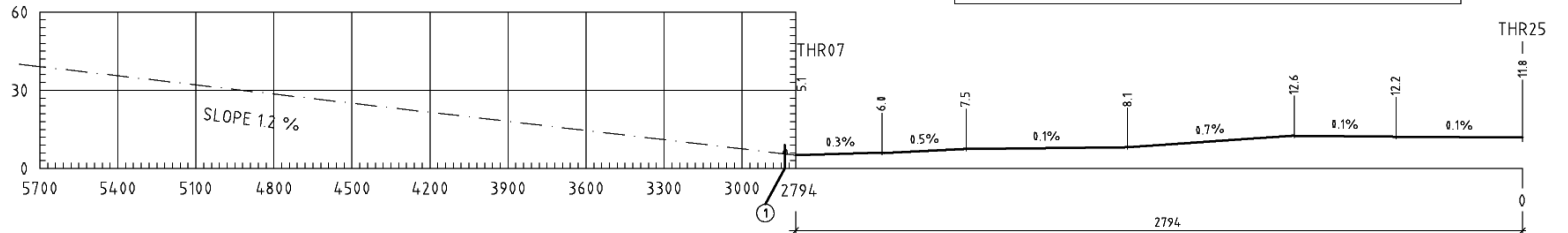
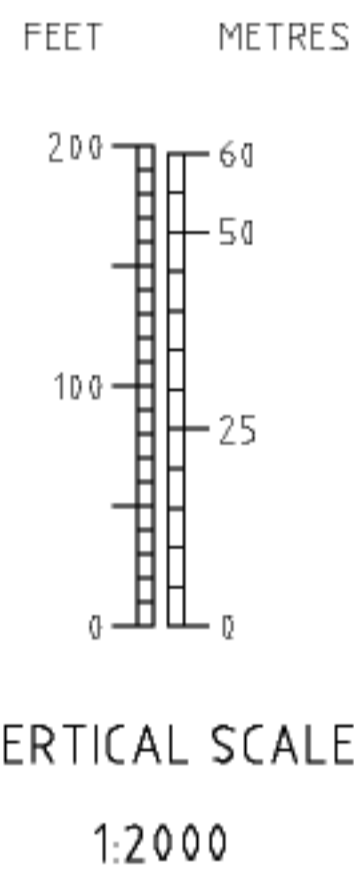
DIMENSIONS IN METRES AND ELEVATIONS IN METRES ABOVE MEAN SEA LEVEL

TYPE A - OPERATING LIMITATIONS

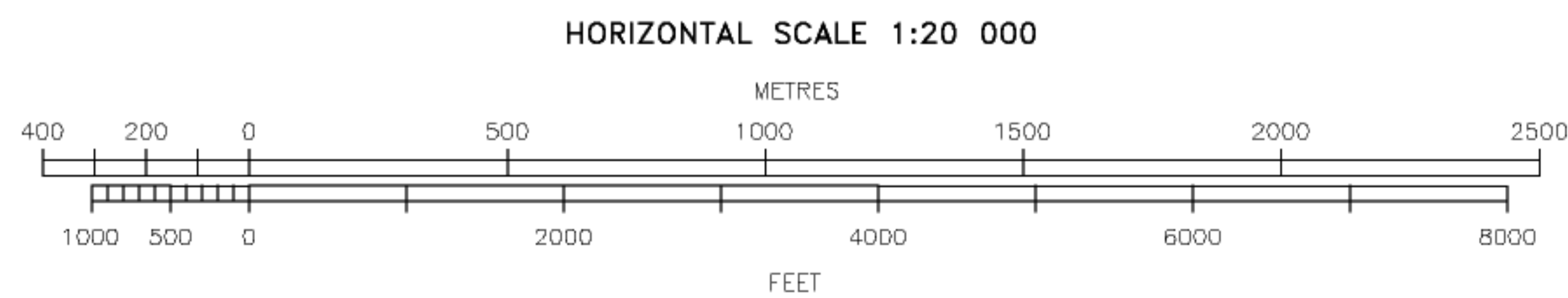
MAGNETIC VARIATION 4° E - 2005



DECLARED DISTANCES		
RWY 07		RWY 25
2794	TAKE-OFF RUN AVAILABLE	2794
3063	TAKE-OFF DISTANCE AVAILABLE	2794
2794	ACCELERATE STOP DISTANCE AVAILABLE	2794
2794	LANDING DISTANCE AVAILABLE	2794



LEGEND	
IDENTIFICATION NUMBER	①
BUILDING OR LARGE STRUCTURE	■
TREE	*
POLE, TOWER, ANTENNA, ETC.	⊙
ROAD	—
COAST	—
LAKE, RIVER	—
TRANSMISSION LINE	—T—
TERRAIN CONTOUR	—
TERRAIN PENETRATING OBSTACLE PLANE	—



AMENDMENT RECORD		
No.	DATE	ENTERED BY

CHANGES: CWY REMOVED, DECLARED DISTANCES, MAG. VAR., OBSTACLE, SLOPE RWY AND EDITORIAL