

AERODROME OBSTACLE CHART - ICAO

DIMENSIONS IN METRES AND ELEVATIONS IN METRES ABOVE MEAN SEA LEVEL

TYPE A - OPERATING LIMITATIONS

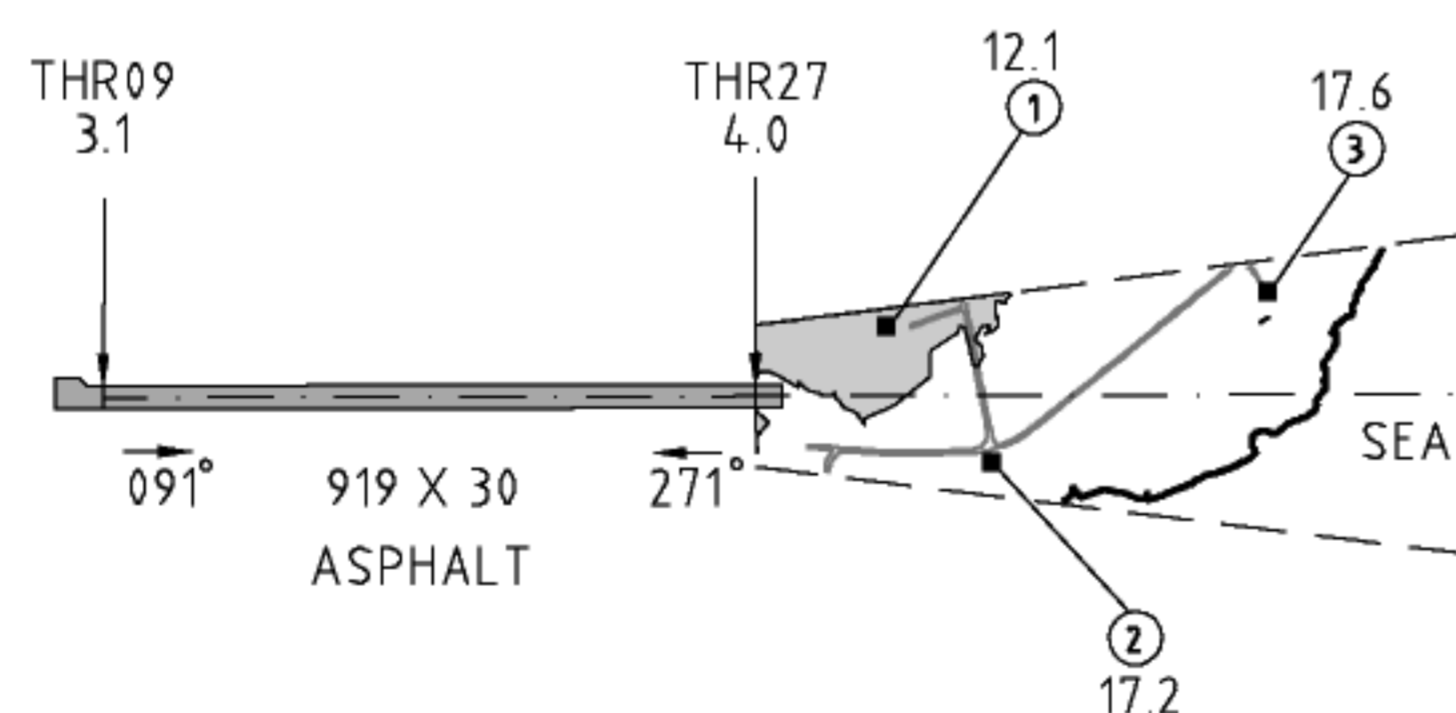
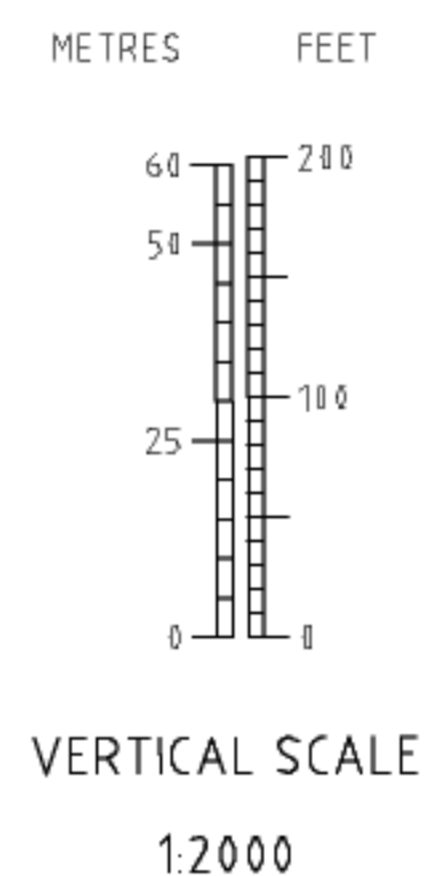
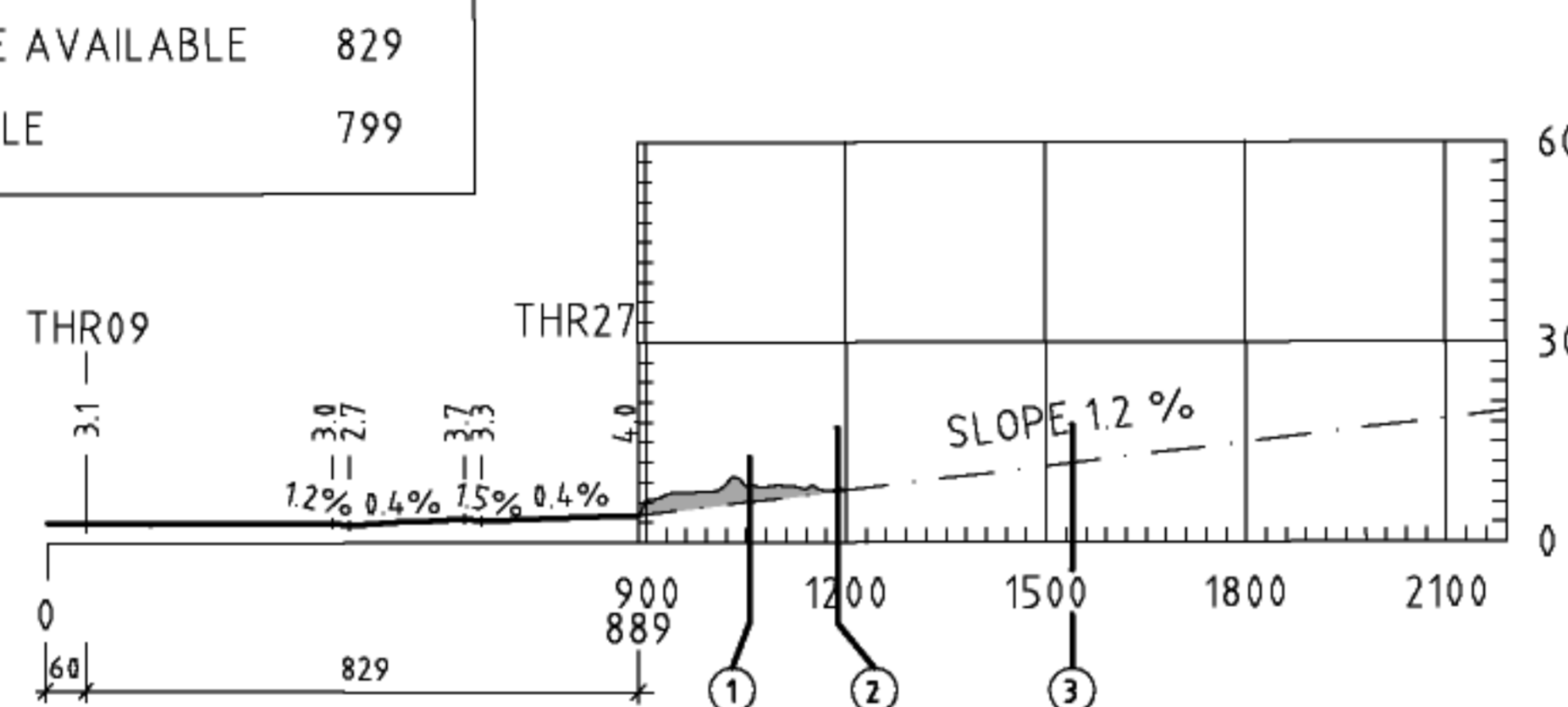
MAGNETIC VARIATION 3°E - 2005

DECLARED DISTANCES

RWY 09		RWY 27	
889	TAKE-OFF RUN AVAILABLE	829	
889	TAKE-OFF DISTANCE AVAILABLE	829	
889	ACCELERATE STOP DISTANCE AVAILABLE	829	
829	LANDING DISTANCE AVAILABLE	799	

TURN PARAMETERS

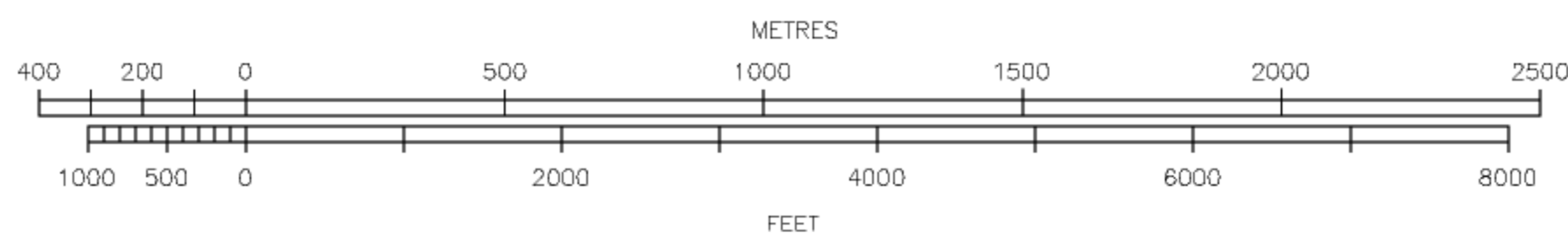
IAS	130 KIAS
Bank angle	15°
Temperature	ISA + 15°
Radius of turn/Alt	1845M/1000FT AMSL



LEGEND

IDENTIFICATION NUMBER	①
BUILDING OR LARGE STRUCTURE	■
TREE	*
POLE, TOWER, ANTENNA, ETC.	⊙
ROAD	— — — — —
COAST	— — — — —
LAKE, RIVER	— — — — —
TRANSMISSION LINE	— T — — —
TERRAIN CONTOUR	— — — — —
TERRAIN PENETRATING OBSTACLE PLANE	— — — — —

HORIZONTAL SCALE 1:20 000



AMENDMENT RECORD

No.	DATE	ENTERED BY

CHANGES: RWY, NEW THR 09, REV. ELEV, DECLARED DISTANCES AND OBSTACLES REMOVED