

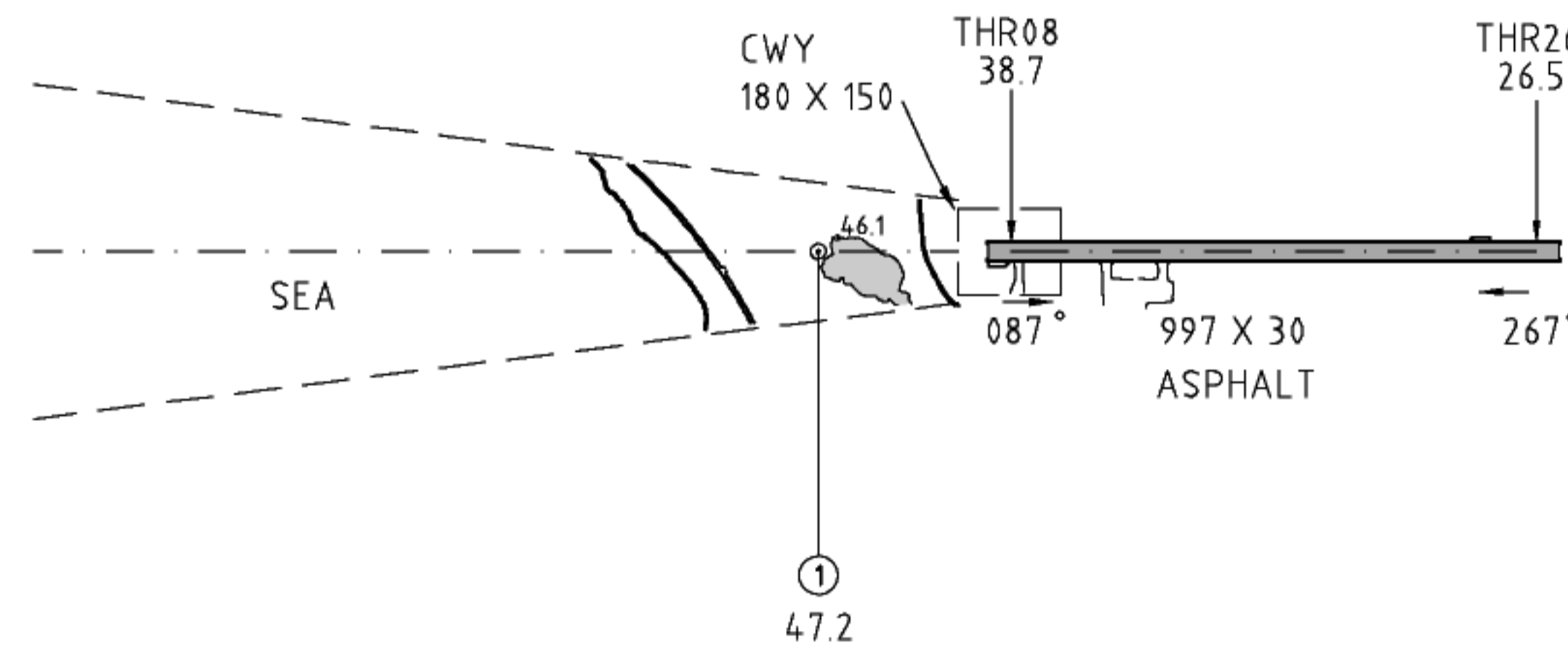
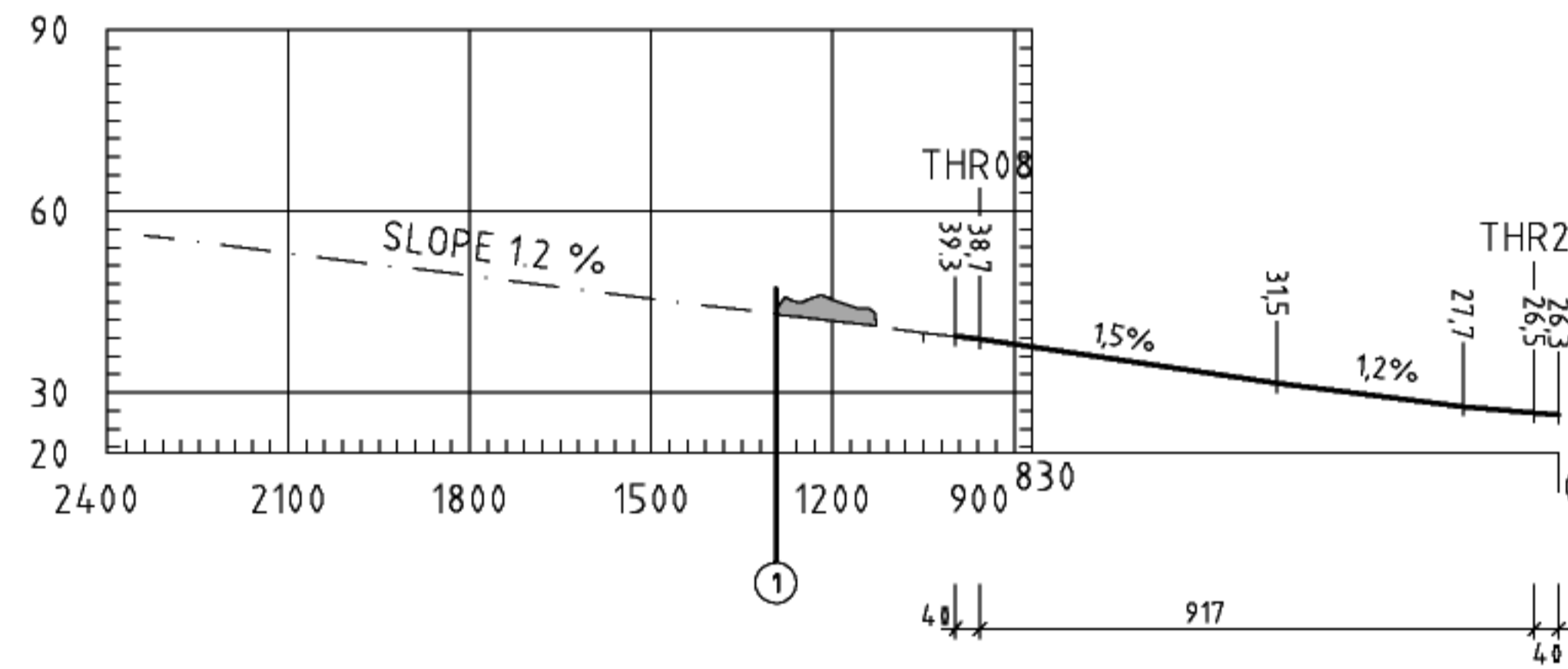
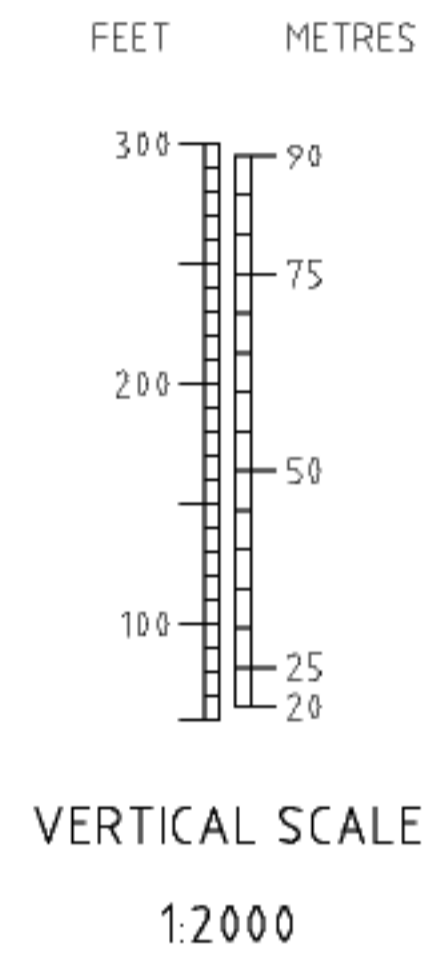
RWY 26  
VADSØ  
NORWAY

# AERODROME OBSTACLE CHART - ICAO

DIMENSIONS AND ELEVATIONS IN METRES ABOVE MEAN SEA LEVEL

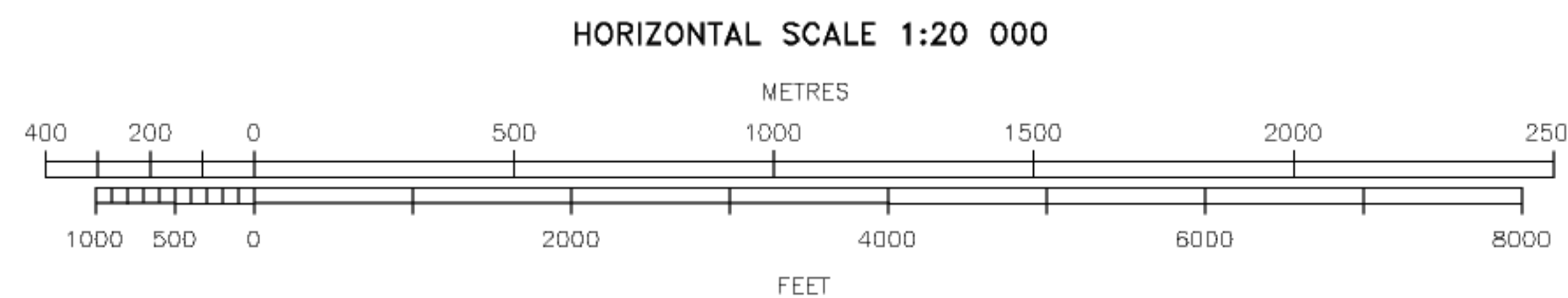
TYPE A - OPERATING LIMITATIONS

MAGNETIC VARIATION 12°E - 2005



DECLARED DISTANCES		
RWY 08		RWY 26
870	TAKE-OFF RUN AVAILABLE	870
1050	TAKE-OFF DISTANCE AVAILABLE	1050
870	ACCELERATE STOP DISTANCE AVAILABLE	870
830	LANDING DISTANCE AVAILABLE	830

LEGEND	
IDENTIFICATION NUMBER	①
BUILDING OR LARGE STRUCTURE	■
TREE	*
POLE, TOWER, ANTENNA, ETC.	⊙
ROAD	— — — — —
COAST	— — — — —
LAKE, RIVER	— — — — —
TRANSMISSION LINE	— T — — —
TERRAIN CONTOUR	— — — — —
TERRAIN PENETRATING OBSTACLE PLANE	— — — — —



AMENDMENT RECORD		
No.	DATE	ENTERED BY

CHANGES: THR 26, CWY, SLOPE RWY AND DECLARED DISTANCES